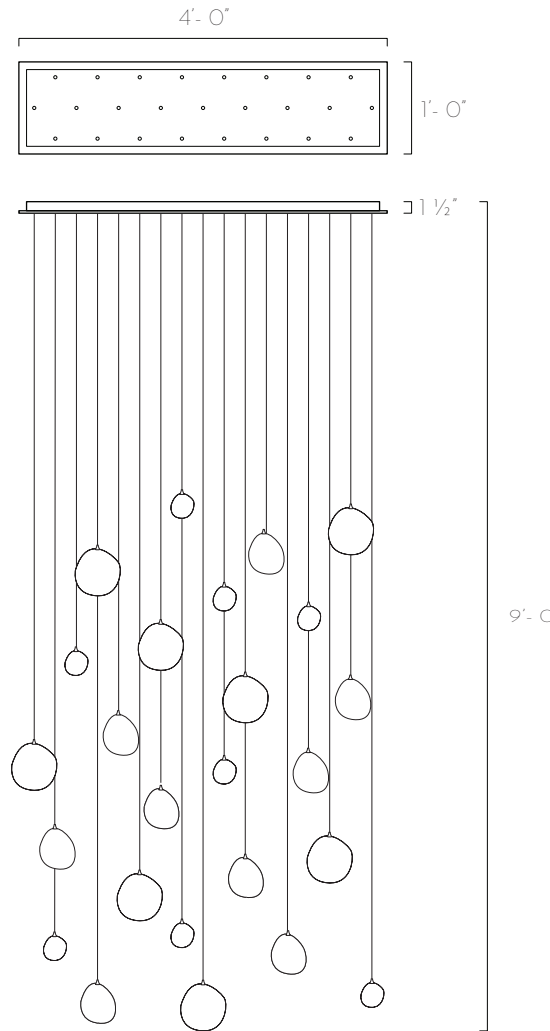


AQUA MOONLIGHT

25 PENDANTS RECTANGULAR CHANDELIER



DESCRIPTION

A symbol of unparalleled beauty, originality and craftsmanship, the moonlight fixture is a handmade blown glass pendant chandelier designed by AM Studio and glass artist Karli Sears.

Each globe is hand crafted with a frosted finish in white, navy, aqua, sea green and green. Perfect lighting for Dining, Staircase, Foyer, Lobby, Reception or any commercial or residential space that require an artistic, dynamic and unique lighting statement. Pendants come in three sizes. Fixture can be fully customized based on number of pendants, sizes, colors, ceiling base and total length.

TECHINCAL SPECIFICATIONS

Designed by

Karli Sears & AM Studio

Category

Pendant Chandelier

Canopy Finish

Powder coated metal in Flat White/ Sparkle Silver

Canopy Size

48"L x 12"W x 1.5"H

Pendant colours

White, Navy, Aqua, Green, Sea Green

Pendant Size

8 x units of 6"D
9 x units of 4.5"D
8 x units of 3"D

Total Drop

5'H + 2' extra wire for adjustment

Bulb

Dimmable G4 LED - 12V - 2W

Recommended Dimming Switch

Lutron CTCL-153PD
Lutron Pro

Transformer:

Magnitude E60R12DC - 60W 12VDC - Dimmable - Class
2 LED Driver
Input: 120V
Output: 12V

Electrical Outlet needed: 1

Catalogue # AML-25-48R



Note: Due to the nature of our handmade work, there may be slight variances in glass colour. AM Studio light fixtures are made to order, handmade and created in Toronto, Canada.

AM STUDIO CUSTOM LIGHTING | 80 KINCORT ST. TORONTO M6M 5G1 | +1 (416) - 783 4100 | info@amstudio.ca | www.amstudio.ca



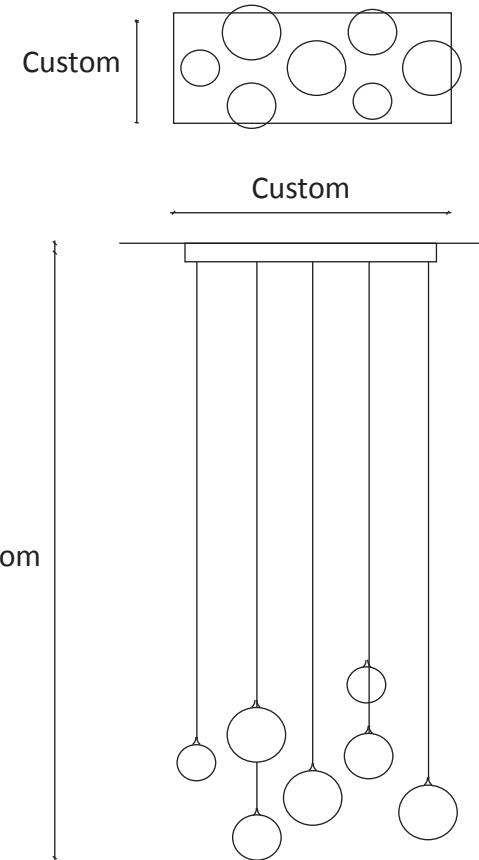
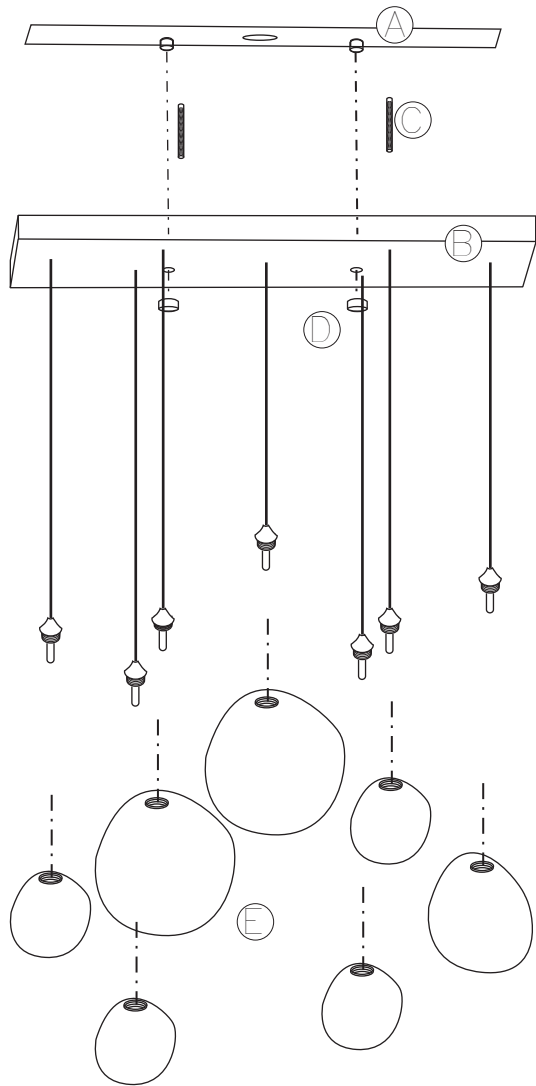
UL Listed



CSA Certified

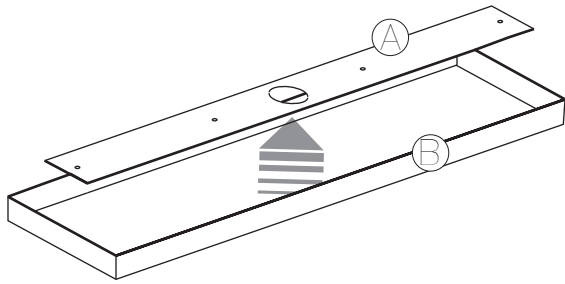


Made in Canada



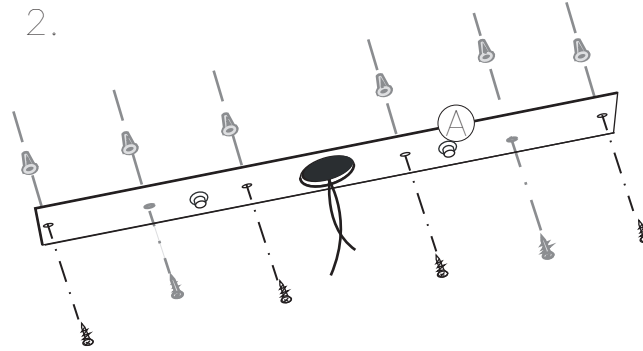
- Ⓐ x1 Bridge
- Ⓑ x1 Base
- Ⓒ x2 Support Rods (temporary mounting only)
- Ⓓ x2 Button Head Screws
- Ⓔ Glass Pendants , 3 sizes (See instructions page 3)

1.



Separate (A) from (B)

2.

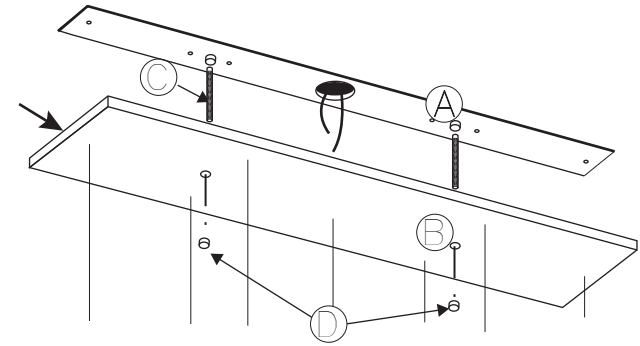


Mount (A) to the ceiling.

Note: When mounting be sure to locate and mount (A) to a joist/ceiling beam

If you cannot do so, be sure to use drywall screws and anchors, drill additional holes for mounting for better support

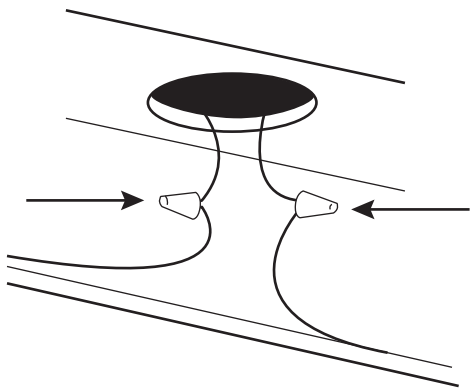
3.



Use support rods (C) provided to hang (B) off of (A)

Complete attachment with button head screws (D)

4.



Connect electrical wire to the power

5.

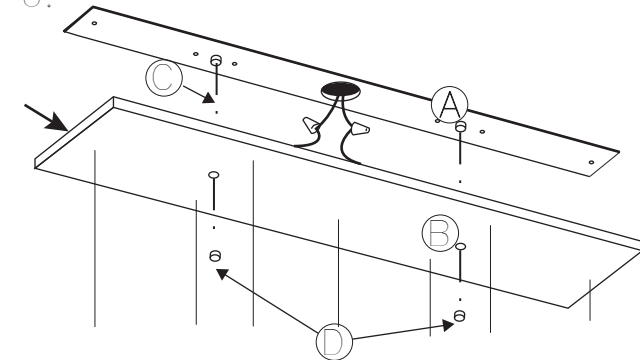
Test lights by turning on power



Make sure bulb is not touching the glass!

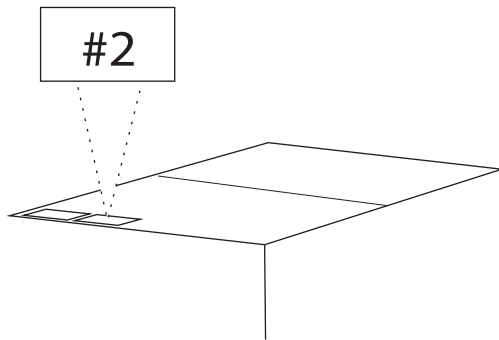
Turn off power after testing

6.

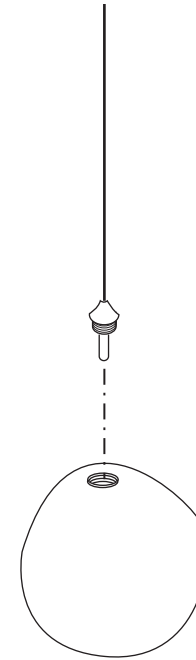
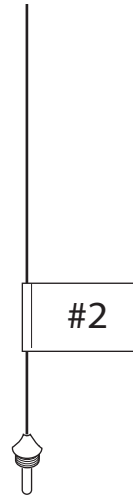


Remove rods and attach (B) to (A) with the button head screws (D)

7.



Attach pednants to cables by matching thier stickers



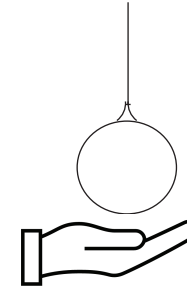
Always use gloves when handling

1.



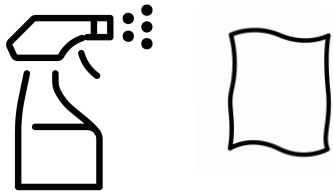
- Dust the cord/rope/chain with a duster.

2.



- Hold the glass pendant/light fixture and gently wipe with a duster or microfiber cloth to remove dust.

3.

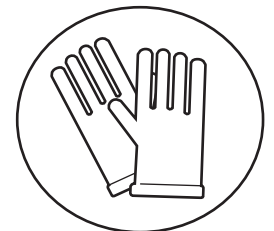


- For spot cleaning, use any good glass cleaner and a microfiber cloth.
⚠ Do **NOT** spray directly onto the light fixture/ glass pendant

4.



- Finish by gently wiping down the pendant with a soft, dry microfibre cloth.



Always use gloves when handling glass